

# KOMATSU®

## D275AX-5 With Tier 3 Engine

**NET HORSEPOWER**  
335 kW **449 HP** @ 2000 rpm

**OPERATING WEIGHT**  
51530 kg **113,600 lb**

**D**  
**275AX**

CRAWLER DOZER



Photos may include optional equipment.

## WALK-AROUND

### **OUTSTANDING PRODUCTIVITY**

**Innovative SIGMADOZER** reduces digging resistance and demonstrates smooth material roll up to increase blade load.

Blade capacity 14.6 m<sup>3</sup> **19.1 yd<sup>3</sup>**

### **Hydraulically driven radiator cooling fan**

controlled automatically, reduces fuel consumption and operating noise levels

**SAA6D140E-5 turbocharged after-cooled diesel engine** provides a net output of 335 kW **449 HP** with excellent productivity. This engine is EPA Tier 3 and EU stage 3A emissions certified

### **Preventative maintenance**

- Centralized service station
- Enclosed hydraulic piping
- Modular power train design
- Oil pressure checking ports

Automatic lockup **torque converter** saves fuel and increases speed and power transmission efficiency on long pushes

### **Simple hull frame**

and monocoque track frame with pivot shaft for greater reliability

### **Komatsu-integrated design**

for value, reliability, and versatility. Hydraulics, power train, frame, and all other major components are engineered by Komatsu. You get a machine with components designed to work together for higher production, greater reliability, and more versatility



### **KOMTRAX™**

KOMTRAX equipped machines can send location, SMR and operation maps to a secure website utilizing wireless technology. Machines also relay error codes, cautions, maintenance items, fuel levels, and much more.

**NET HORSEPOWER**  
335 kW 449 HP @ 2000 rpm

**OPERATING WEIGHT**  
51530 kg 113,600 lb

**BLADE CAPACITY**  
SIGMADOZER: 14.6 m<sup>3</sup> 19.1 yd<sup>3</sup>  
Semi-U: 13.7 m<sup>3</sup> 17.9 yd<sup>3</sup>  
Full-U: 16.6 m<sup>3</sup> 21.7 yd<sup>3</sup>

***New hexagonal designed cab includes:***

- Spacious interior
- Comfortable ride with new cab damper mounting and K-Bogie undercarriage
- Excellent visibility
- High capacity air conditioning system
- Palm Command Control System (PCCS) lever controls
- Pressurized cab
- Adjustable armrests
- Travel control console integrated with operator seat



***Extra-low machine profile*** provides excellent machine balance and low center of gravity

***Hydrostatic Steering System (HSS)*** provides smooth, quick, and powerful control in varying ground conditions

***Optional track shoe slip control system***  
reduces operator fatigue

***K-Bogie undercarriage system***  
improves traction, component durability, and operator comfort.

***New track link design***  
reduces maintenance cost by making turning pins easier, with improved pin reuse



Photos may include optional equipment.

***Low-drive, long-track, seven roller undercarriage***  
provides outstanding grading ability and stability

# PALM COMMAND CONTROL SYSTEM (PCCS)

Komatsu's new ergonomically designed control system "PCCS" creates an operating environment with "complete operator control."

## Human-Machine Interface

### Palm Command Electronic Controlled Travel Control Joystick

Palm command travel joystick provides the operator with a relaxed posture and superb fine control with improved operator comfort. Transmission gear shifting is simplified with thumb push buttons.

Left-hand Joystick



### Palm Command PPC Controlled Blade Control Joystick

Blade control joystick uses the Proportional Pressure Control (PPC) valve and joystick, similar to the travel control joystick. PPC control combined with the highly reliable Komatsu hydraulic system enables superb fine control. (Dual tilt and pitch operation are enabled by depressing a switch with the thumb. This is available when optional dual tilt dozer is installed.)

Blade and Ripper Control Joystick



### Fully Adjustable Suspension Seat and Travel Control Console

For improved rear visibility during reverse operations, the operator can adjust the seat 15° to the right. The transmission and steering controls move with the seat for optimum operator comfort. The travel control console also has adjustment fore and aft, and height. The armrest is independently adjustable up and down, providing optimum operation posture for all operators.

### Facing Front



When Turned 15°



### Fuel Control Dial

Engine speed is controlled by an electric signal, providing ease of operation, eliminating maintenance of linkage and joints.

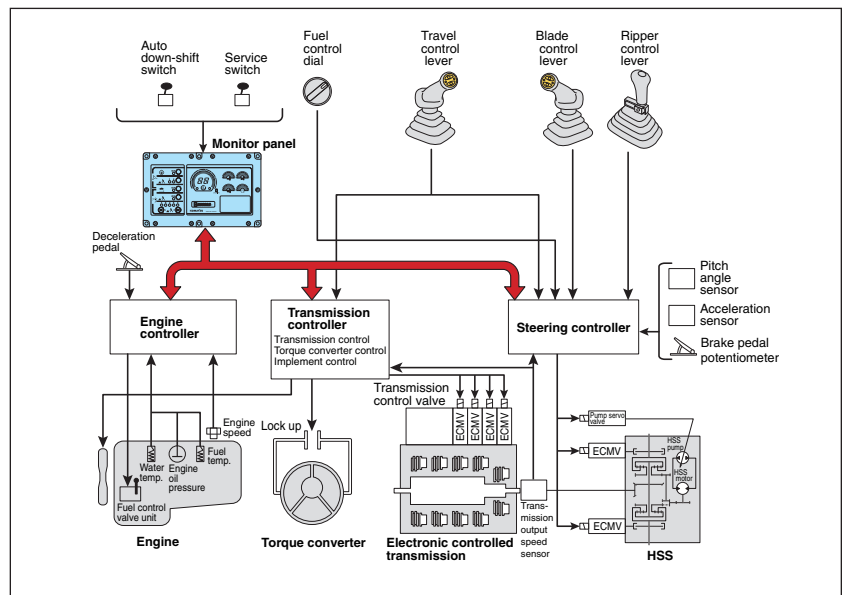
### Height Adjustable Blade Control Armrest

Blade control armrest is height adjustable without any tools, in three stages, providing the operator with firm arm support in an ideal armrest.

### Position Adjustable Ripper Control Lever

Ripper control lever position is adjustable, providing optimum operator posture during all types of ripping operations.

## Outline of Electronic Control System



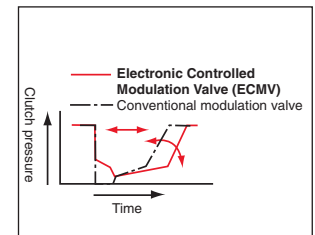
# Power Train Electronic Control System

## Smooth and Soft Operation

The D275AX-5 utilizes a new power train electronic control system. The controller registers the amount of operator control (movements of lever and operation of switches) along with machine condition signals from each sensor, to calculate accurately the control of the torque converter, transmission, Hydrostatic Steering System (HSS) and brakes for optimal machine operation. The ease of operation and productivity of the new D275AX-5 is greatly improved through these new features.

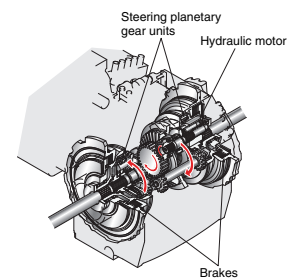
## Electronic Controlled Modulation Valve (ECMV) Transmission

The controller automatically adjusts each clutch engagement depending on travel conditions such as gear speed, engine speed, and shifting pattern. This provides smooth, shockless clutch engagement, improved component reliability, improved component life and operator ride comfort.



## Hydrostatic Steering System—Smooth, Powerful Turning

The Hydrostatic Steering System (HSS) is powered by an independent hydraulic pump with engine power transmitted to both tracks without power interruption on the inside track. When the machine turns, the outside track moves faster and the inside slower, for smooth, powerful turns. Counter-rotation is available for minimum turning radius providing excellent maneuverability. Shock-free steering reduces machine vibration and increases operator comfort.

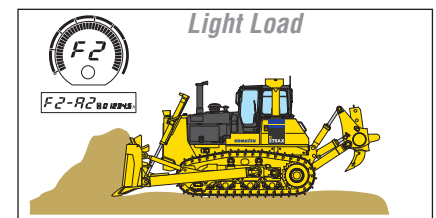
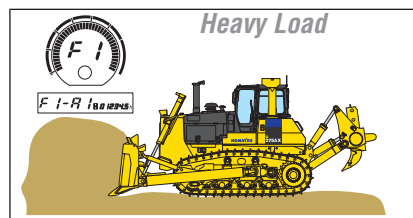
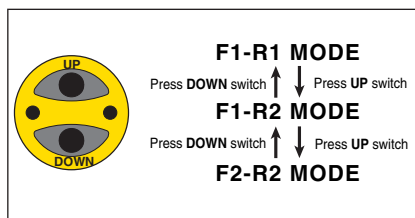


D275AX-5 HSS system is equipped with a pivot turn mode switch on the dashboard. When the pivot turn mode is selected or the machine reaches the limit of HSS during a turn, the turning side brake is engaged. This results in a pivot turn with a short turning radius.

- Turning while dozing— the machine turns by driving the left and right tracks under power at different speeds allowing the machine to travel at the same speed as in straight dozing.
- Side cutting— when side-loading the blade, straight travel can be maintained utilizing HSS.
- On downhill slopes— the machine doesn't require counter-steering. The joystick provides the same steering response on downhill slopes as on flat ground.
- Grading— can be done efficiently without damaging the ground, because the inside track is not locked during turning.

## Preset Travel Speed Function

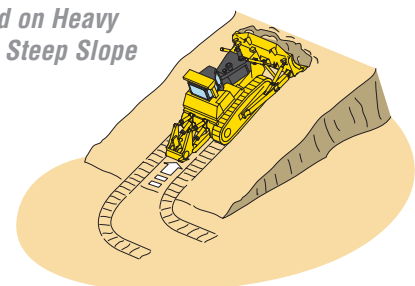
Preset travel speed selection function is standard equipment, enabling the operator to select a combination of forward/reverse gear shifts from three preset patterns; F1-R1, F1-R2 and F2-R2 by using the UP/DOWN switch. When the preset pattern is selected and the travel control is moved into forward or reverse, the machine travels in the preset gear range automatically. This function reduces manual gear shifting frequency during machine operation, enabling the operator to focus on directional and hydraulic control. Preset travel speed selection is especially helpful when used in combination with the auto-downshift function and reduces cycle times during repeated round trip operations.



## Auto Downshift Function

The controller monitors engine speed, travel gear and travel speed. When load is applied and machine travel speed is reduced, the controller automatically downshifts to optimum gear speed to provide high fuel efficiency. This function provides comfortable operation and high productivity without manual downshifting. This function can be deactivated with the cancel switch.

*Actuated on Heavy Load or Steep Slope*



## PRODUCTIVITY FEATURES



Komatsu's new "ecot3" engines are designed to deliver optimum performance under the toughest of conditions, while meeting the

latest environmental regulations. This engine is EPA Tier 3, EU Stage 3A and Japan emissions certified; "ecot3" - ecology and economy combine with Komatsu technology to create a high performance engine without sacrificing power or productivity.

### Engine

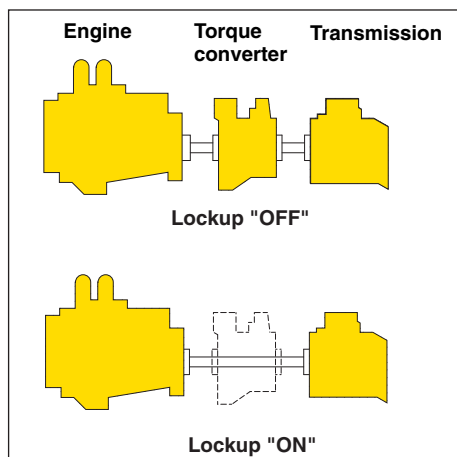
The Komatsu SAA6D140E-5 engine delivers a net output of 335 kW **449 HP** at 2000 rpm. The fuel-efficient Komatsu engine, together with the heavy machine weight, make the D275AX-5 a superior crawler dozer in both ripping and dozing production. The engine features direct fuel injection, turbocharger, air-to-air aftercooler and cooled EGR system to maximize fuel efficiency. To minimize noise and vibration, the engine is mounted to the main frame with rubber cushions.

### Hydraulically Driven Radiator Cooling Fan

Fan rotation is automatically controlled depending on coolant and hydraulic oil temperature, saving fuel consumption and providing increased productivity with a quiet operating environment.

### Automatic Torque Converter Lockup System

In the lockup configuration, the system automatically engages the torque converter lockup clutch with all the engine power transmitted directly to the transmission, increasing ground speed and thus achieving efficiencies equal to a direct drive. The result is efficient use of engine power, less fuel consumption, and faster cycle times.

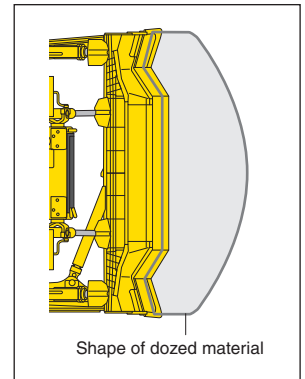


## Outstanding Productivity

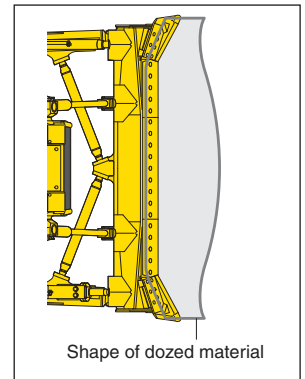
### SIGMADOZER

*Production increased by **15%**  
(compared with our conventional model)*

Based on a completely new digging theory, SIGMADOZER dramatically improves dozing performance and increases productivity. A new frontal design concept adopted for digging and rolling up material at the center of the blade increases material holding capacity, simultaneously reducing side spillage. Reduced digging resistance produces smoother flow of material, enabling the dozing of larger quantities of material with less power. In addition, adoption of a new blade linkage system holds the blade closer to the tractor for improved visibility, enhanced digging force, and reduced lateral sway of the blade.



**SIGMADOZER**



**Semi-U blade**

## Undercarriage

### K-Bogie System

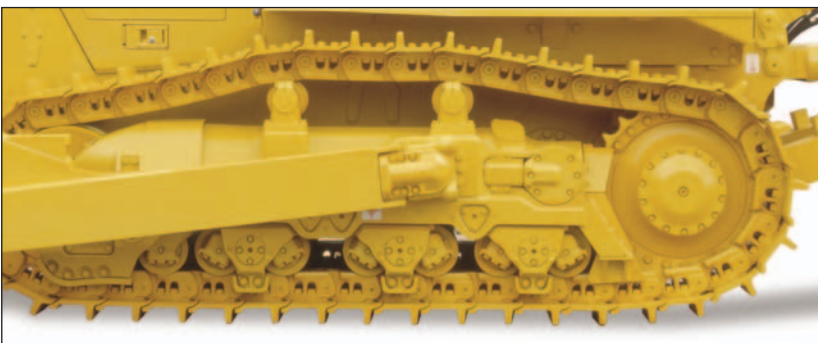
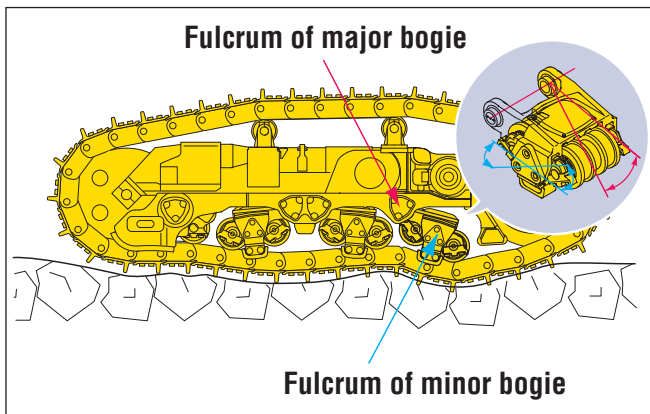
New K-Bogie undercarriage system retains prior advantages, with new additional features.

Current features:

- Effective length of track on ground is consistent. Shoe slippage is minimized; therefore, high traction is obtained.
- The idler does not oscillate under load, providing excellent machine balance. Blade and ripper penetration forces remain stable for increased productivity.

New features on K-Bogie undercarriage system:

- K-Bogies oscillate with two fulcrums, and track roller vertical travel is greatly increased. Impact load on all undercarriage components has been reduced and durability of components is improved since track rollers are always in contact with track links.
- Undercarriage life is improved due to better control of track chain alignment with track rollers.
- Riding comfort is improved by reducing vibration and shock when traveling over rough terrain.



### Dual Tilt Dozer with Pitch (option)

The dual tilt dozer increases productivity while reducing operator effort.

- Optimum blade cutting angle for all types of materials and grades can be selected on-the-go for increased load and production.
- Digging, dozing (carry), and dumping (spreading) are easy and smooth with less operator fatigue.
- Dozer tilt angle and tilt speed are twice that of a conventional single tilt system.

### Rippers

- The variable giant ripper features a long sprocket center-to-ripper point distance, making ripping operation easy and effective while maintaining high penetration force.
- The variable giant ripper is a parallelogram single shank ripper ideal for ripping in tough material. The ripping angle is variable, and the depth is adjustable in three stages by a hydraulically controlled pin puller.
- The multi-shank ripper is a hydraulically controlled parallelogram ripper with three shanks.



### Track Shoe Slip Control System (option)

- Eliminates the need for the operator to constantly control engine power output with the decelerator while ripping. Operator fatigue is substantially reduced.
- Maneuverability is improved because the operator is free to focus on the ripping application without having to monitor the track shoe slippage.
- Repair costs are significantly lowered and undercarriage life is prolonged with the reduction in track shoe slippage.
- The track shoe slip control system contributes to lower fuel costs, because the engine output is automatically controlled to optimum levels for operation.



Track Shoe Slip Control Panel

## WORKING ENVIRONMENT

### Operator Comfort

Operator comfort is essential for productive work. The D275AX-5 provides a quiet, comfortable environment where the operator can concentrate on the work at hand.



#### Hexagonal Pressurized Cab

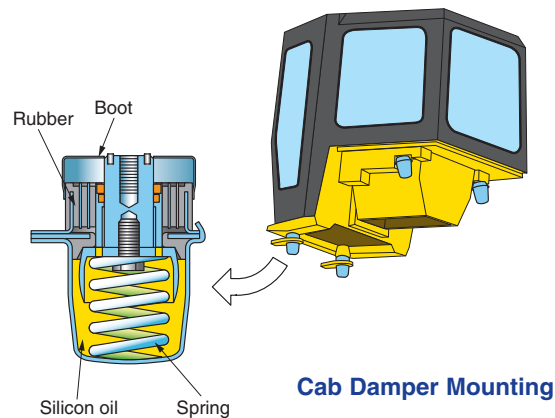
- The cab's new hexagonal design and large tinted glass windows provide excellent front, side, and rear visibility.
- Air filters and a higher internal air pressure combine to help prevent dust from entering the cab.



Photos may include optional equipment.

#### Comfortable Ride with New Cab Damper Mounting and K-Bogie Undercarriage

The D275AX-5's cab mount uses a new cab damper which provides excellent shock and vibration absorption capacity with its long stroke. The cab damper mounts combined with the new K-Bogie undercarriage, soften shocks and vibration, while traveling over adverse conditions, which conventional mounting systems are unable to absorb. The cab damper spring isolates the cab from the machine chassis, suppressing vibration, and providing a quiet, comfortable operating environment.



#### New Suspension Seat

The D275AX-5 uses a new suspension seat. The fore and aft sliding rails and suspension spring are reinforced and joint play is reduced.

In addition to the turning function for ripper operation, the seat also tilts to facilitate down hill dozing. An air suspension seat is also available.





# EASY MAINTENANCE

## Planned Maintenance

Planned maintenance is the only way to ensure long service life from your equipment. That's why Komatsu designed the D275AX-5 with conveniently located maintenance points to make necessary inspections and maintenance quick and easy.

### Centralized Service Station

To assure convenient maintenance, the transmission and HSS oil filters, power train oil level gauges, and hydraulic tank are arranged in the right side of the machine.



All warning and monitor lamps are lit for photo shooting.

### Monitor with Self-Diagnostic Function

With the starting switch turned ON, check-before-starting and caution items appear on the lower right part of the panel. If an abnormality is found, the corresponding warning lamp blinks and warning buzzer sounds. The monitor displays engine rpm and forward/reverse gear speed on the upper part of the monitor during operation. When abnormalities occur during operation, action code and service meter are displayed alternately. When a critical action code is displayed, the caution lamp blinks and a warning buzzer sounds to help prevent the development of serious problems.

### Enclosed Hydraulic Piping

Hydraulic piping for the blade tilt cylinder is completely housed in the push arm, ensuring damage protection from materials.

## Low Maintenance Costs

### Track link with wedge ring

New D275AX-5 track links feature reduced press-fit force and a wedge ring. Conventional track pins are retained only with a large press-fit force. The new track link divides pin forces between the wedge ring and press-fit force. This results in easier service with reduced pin damage when turning pins and bushings. The result is improved undercarriage life and reduced maintenance cost through reduced wear, greater pin reusability, and reduced maintenance man-hours.

### Modular Power Train Design

Power train components are sealed in a modular design that allows the components to be dismantled and mounted without oil spillage.

### Oil Pressure Checking Ports

Pressure checking ports for power train components are centralized to promote quick and simple diagnosis.



### Adjustment-Free Disc Brakes

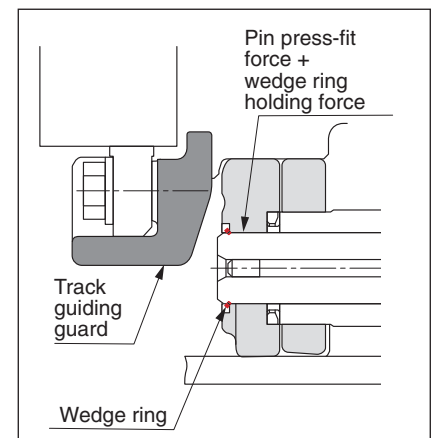
Wet disc brakes are adjustment-free and provide low wear and maintenance.

### Enlarged Engine Compartment

Engine room space is enlarged by increasing engine hood height, facilitating maintenance of the engine and related equipment. Perforated holes on the engine hood are discontinued, to help prevent dust and rain from entering and keep the engine area clean.

### Gull-Wing Engine Side Covers

Gull-wing engine side covers open wide facilitating engine maintenance and filter replacement. Side covers have been changed to a thick one-piece structure with a bolt-on catch to improve durability.



# D275AX-5 CRAWLER DOZER

## SPECIFICATIONS



### ENGINE

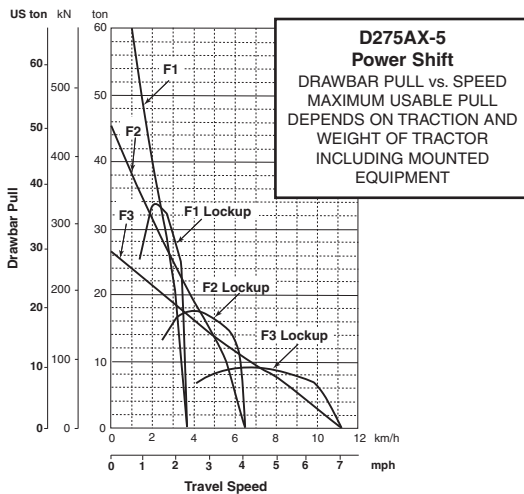
Model . . . . . Komatsu SAA6D140E-5  
 Type . . . . . 4-cycle, water-cooled, direct injection  
 Aspiration . . . . . Turbocharged, air-to-air aftercooled, cooled EGR  
 Number of cylinders . . . . . 6  
 Bore x stroke . . . . . 140 mm x 165 mm **5.51" x 6.50"**  
 Piston displacement . . . . . 15.24 ltr **930 in<sup>3</sup>**  
 Governor . . . . . All-speed, electronic  
 Horsepower  
 SAE J1995 . . . . . Gross 337 kW **452 HP**  
 ISO 9249 / SAE J1349 . . . . . Net 335 kW **449 HP**  
 Hydraulic fan at maximum speed . . . . . Net 306 kW **410 HP**  
 Rated rpm . . . . . 2000 rpm  
 Fan drive type . . . . . Hydraulic  
 Lubrication system  
 Method . . . . . Gear pump, force lubrication  
 Filter . . . . . Full-flow



### TORQFLOW TRANSMISSION

Komatsu TORQFLOW transmission consists of a water-cooled, 3-element, 1-stage, 1-phase, torque converter with lockup clutch and a planetary gear, multiple-disc clutch transmission which is hydraulically-actuated and force-lubricated for optimum heat dissipation. Gearshift lock lever and neutral safety switch help prevent accidental starts.

Gear	Forward		Reverse	
	km/h	mph	km/h	mph
1st	3.6	<b>2.2</b>	4.7	<b>2.9</b>
2nd	6.7	<b>4.2</b>	8.7	<b>5.4</b>
3rd	11.2	<b>7.0</b>	14.9	<b>9.3</b>



### FINAL DRIVES

Double-reduction final drive of spur and planetary gear sets to increase tractive effort and reduce gear tooth stresses for long final drive life. Segmented sprocket rims are bolt-on for easy replacement.



### STEERING SYSTEM

Palm Command Control System (PCCS) lever controls for all directional movements. Pushing the PCCS lever forward results in forward machine travel, while pulling it rearward reverses the machine. Simply tilt the PCCS lever to the left to make a left turn.

Hydrostatic Steering System (HSS) is powered by steering planetary units and an independent hydraulic pump and motor. Counter-rotation turns are also available. Wet, multiple-disc, pedal-controlled service brakes are spring-actuated and hydraulically released. Gear shift lock lever also applies parking brake.

Minimum turning radius . . . . . 3.9 m **12'10"**



### UNDERCARRIAGE

Suspension . . . . . Oscillating equalizer bar and pivot shaft  
 Track roller frame . . . . . Cylindrical, high-tensile-strength steel construction

Rollers and idlers . . . . . Lubricated track rollers

K-Bogie undercarriage

Lubricated track rollers are resiliently mounted to the roller frame with a series of K-Bogies whose oscillating motion is cushioned by rubber pads.

Extreme service track shoes

Lubricated tracks. Unique seals help prevent entry of foreign abrasive material into pin-to-bushing clearances to provide extended service life. Track tension is easily adjusted with a grease gun.

Number of shoes (each side) . . . . . 39

Grouser height:

Single grouser . . . . . 88 mm **3.5"**

Shoe width (standard) . . . . . 610 mm **24"**

Ground contact area . . . . . 42456 cm<sup>2</sup> **6,580 in<sup>2</sup>**

Ground pressure (tractor only) . . . . . 87.3 kPa 0.89 kg/cm<sup>2</sup> **12.7 psi**

Number of track rollers . . . . . 7

Number of carrier rollers . . . . . 2

Extreme service shoes	Additional weight	Ground contact area	SIGMADOZER Strengthened Dual tilt Ground pressure**	Semi-U tilt dozer Ground pressure**
610 mm <b>24"</b>	0 kg <b>0 lb</b>	42456 cm <sup>2</sup> <b>6,580 in<sup>2</sup></b>	119 kPa 1.21 kg/cm <sup>2</sup> <b>17.2 psi</b>	115 kPa 1.17 kg/cm <sup>2</sup> <b>16.6 psi</b>
710 mm <b>28"</b>	570 kg <b>1,260 lb</b>	49416 cm <sup>2</sup> <b>7,659 in<sup>2</sup></b>	103 kPa 1.05 kg/cm <sup>2</sup> <b>15.0 psi</b>	100 kPa 1.02 kg/cm <sup>2</sup> <b>14.5 psi</b>
760 mm <b>30"</b>	850 kg <b>1,870 lb</b>	52896 cm <sup>2</sup> <b>8,199 in<sup>2</sup></b>	97 kPa 0.99 kg/cm <sup>2</sup> <b>14.1 psi</b>	94 kPa 0.96 kg/cm <sup>2</sup> <b>13.7 psi</b>

\*\* Ground pressure based on tractor, cab, ROPS, operator, giant ripper, standard equipment, and shoe and blade shown in the chart.



### COOLANT AND LUBRICANT CAPACITY (REFILL)

Fuel tank . . . . . 840 ltr **222 U.S. gal**

Coolant . . . . . 100 ltr **26.4 U.S. gal**

Engine . . . . . 52.0 ltr **13.7 U.S. gal**

Torque converter, transmission,

bevel gear, and steering system . . . . . 90 ltr **23.8 U.S. gal**

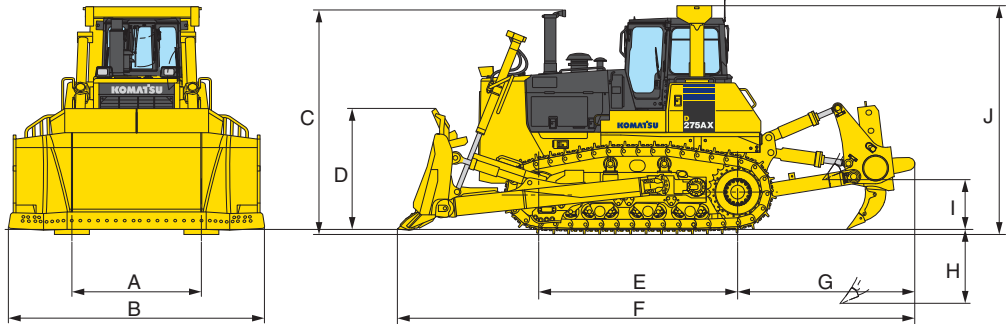
Final drive (each side) . . . . . 40 ltr **10.6 U.S. gal**



### DIMENSIONS

#### SIGMADOZER WITH GIANT RIPPER

A	2260 mm	7'5"
B	4440 mm	14'7"
C	3915 mm	12'10"
D	2150 mm	7'1"
E	3480 mm	11'5"
F	8995 mm	29'6"
G	3030 mm	9'11"
H	1300 mm	4'3"
I	870 mm	2'10"
J	3990 mm	13'1"



Ground Clearance: 507 mm 1'8"



### OPERATING WEIGHT

Tractor weight . . . . . 37680 kg **83,070 lb**  
Including rated capacity of lubricant, coolant, full fuel tank, operator, and standard equipment.

Operating weight . . . . . 51530 kg **113,600 lb**  
Including Strengthened Dual tilt SIGMADOZER, giant ripper, steel cab, ROPS, operator, standard equipment, rated capacity of lubricant, coolant, and full fuel tank.

Ground pressure . . . . . 119 kPa 1.21 kg/cm<sup>2</sup> **17.2 psi**



### HYDRAULIC SYSTEM

Closed-center Load Sensing System (CLSS) designed for precise and responsive control, and for efficient simultaneous operation.

Hydraulic cylinders . . . . . Double-acting, piston

Hydraulic control units:

All spool valves externally mounted beside the hydraulic tank.  
Piston type hydraulic pump with capacity (discharge flow) of 230 ltr/min **60.8 U.S. gal/min** at rated engine rpm.

	Number of cylinders	Bore
Blade lift	2	120 mm <b>4.72"</b>
Blade tilt	1(Single tilt), 2(Dual tilt)	180 mm <b>7.09"</b>
Ripper lift	2	180 mm <b>7.09"</b>
Ripper tilt	2	160 mm <b>6.30"</b>

Relief valve setting . . . . . 27.5 MPa 280 kg/cm<sup>2</sup> **3,980 psi**

Control valves:

Spool control valves for SIGMADOZER, Semi-U tilt and Full-U tilt dozer  
Positions: Blade lift . . . . . Raise, hold, lower, and float  
Blade tilt . . . . . Right, hold, and left

Hydraulic oil capacity (refill):

SIGMADOZER, Semi-U dozer, or U dozer

. . . . . 130 ltr **34.3 U.S. gal**

Ripper equipment (additional volume):

Giant ripper . . . . . 38 ltr **10.0 U.S. gal**

Multi-shank ripper . . . . . 38 ltr **10.0 U.S. gal**

Additional control valve required for variable digging angle multi-shank ripper and giant ripper.

Positions: Ripper lift . . . . . Raise, hold, and lower  
Ripper tilt . . . . . Increase, hold, and decrease



### DOZER EQUIPMENT

Blade capacities are based on the SAE recommended practice J1265.

	Overall length with dozer	Blade capacity	Blade length x height	Maximum lift above ground	Maximum drop below ground	Maximum tilt adjustment	Weight*		Ground pressure**
							Dozer equipment	Hydraulic oil	
SIGMADOZER Strengthened Dual tilt	6665 mm <b>21'10"</b>	14.6 m <sup>3</sup> <b>19.1 yd<sup>3</sup></b>	4440 mm x 2150 mm <b>14'7" x 7'1"</b>	1390 mm <b>4'7"</b>	745 mm <b>2'5"</b>	1070 mm <b>3'6"</b>	9110 kg <b>20,080 lb</b>	35 kg <b>77 lb</b>	119 kPa 1.21 kg/cm <sup>2</sup> <b>17.2 psi</b>
Semi-U tilt dozer	6930 mm <b>22'9"</b>	13.7 m <sup>3</sup> <b>17.9 yd<sup>3</sup></b>	4300 mm x 1960 mm <b>14'1" x 6'5"</b>	1450 mm <b>4'9"</b>	640 mm <b>2'1"</b>	1000 mm <b>3'3"</b>	7480 kg <b>16,490 lb</b>	29 kg <b>64 lb</b>	115 kPa 1.17 kg/cm <sup>2</sup> <b>16.6 psi</b>
U tilt dozer	7265 mm <b>23'10"</b>	16.6 m <sup>3</sup> <b>21.7 yd<sup>3</sup></b>	4615 mm x 1973 mm <b>15'2" x 6'6"</b>	1450 mm <b>4'9"</b>	640 mm <b>2'1"</b>	1070 mm <b>3'6"</b>	8404 kg <b>18,530 lb</b>	29 kg <b>64 lb</b>	118 kPa 1.20 kg/cm <sup>2</sup> <b>17.1 psi</b>
Dual tilt Semi-U dozer	6930 mm <b>22'9"</b>	13.7 m <sup>3</sup> <b>17.9 yd<sup>3</sup></b>	4300 mm x 1960 mm <b>14'1" x 6'5"</b>	1450 mm <b>4'9"</b>	640 mm <b>2'1"</b>	1140 mm <b>3'9"</b>	7560 kg <b>16,670 lb</b>	35 kg <b>77 lb</b>	116 kPa 1.18 kg/cm <sup>2</sup> <b>16.8 psi</b>
Dual tilt U dozer	7265 mm <b>23'10"</b>	16.6 m <sup>3</sup> <b>21.7 yd<sup>3</sup></b>	4615 mm x 1973 mm <b>15'2" x 6'6"</b>	1450 mm <b>4'9"</b>	640 mm <b>2'1"</b>	1220 mm <b>4'0"</b>	8485 kg <b>18,710 lb</b>	35 kg <b>77 lb</b>	118kPa 1.20 kg/cm <sup>2</sup> <b>17.1 psi</b>

\* Additional weight to obtain the weight of strengthened type dozer equipment:

For strengthened Semi-U dozer: + 1050 kg **2315 lb** For strengthened Full-U tilt dozer: + 1200 kg **2646 lb**

When calculating the operating weight of dual tilt dozer, add the 50 kg **110 lb** weight of additional hydraulic system to the tractor weight.

\*\* Ground pressure based on tractor, cab, ROPS, operator, giant ripper, standard equipment, and applicable blade.



## STANDARD EQUIPMENT FOR BASE MACHINE

- Air cleaner, double element with dust indicator
- Air conditioner with heater, defroster and pressurizer
- Alternator 75 ampere/24V
- Backup alarm
- Batteries 200 Ah/2 x 12V
- Blade lift cylinders
- Coolant corrosion resistor
- Cup holder
- Decelerator pedal
- Electrical harnesses with sealed connectors
- Gull-wing side doors, perforated
- Engine precleaner with above-the-hood air intake pipe
- Engine speed control electronic dial
- Fan, reversible, programmable electronic control, hydraulic driven
- Filler cap locks and cover locks
- Fuel fast fill provision
- Fuel line auto deaeration
- Fuel water separator and secondary filter
- Headrest
- Horn, warning
- Hydraulics for dozer, single tilt
- Hydraulics for ripper, VGR/MSR
- Hydrostatic Steering System (HSS)
- K-Bogie undercarriage
- KOMTRAX
- Lights, work (2 front, 1 rear)
- Lunch box holder
- Monitor with self diagnostic function
- Muffler with rain cap
- Palm Command Control System (PCCS)
- PM service connectors
- Radiator with reserve tank
- Radiator guard door, lattice type
- Rear cover
- Rear view mirror
- Seat belt, 76 mm 3"
- Seat, suspension type, high back, fabric, turn
- Starting motor, 11kW/24V
- Sun visor
- Tool kit
- Torque converter with automatic lock-up
- Torque flow transmission with Electronic Control Modulation Valve (ECMV)
- Transmission 3F/3R travel speeds with preset patterns
- Transmission auto downshift
- Track roller guard, end sections
- Track shoes, 610 mm 24" extreme service
- Track chain, sealed and lubricated
- Underguards, hinged with front pull hook
- 12 volt accessory outlet

### Steel cab:\*

Weight . . . . . 455 kg **1,000 lb**

Dimensions:

Length . . . . . 1790 mm **5'10"**

Width . . . . . 1455 mm **4'9"**

Height from compartment

floor to ceiling . . . . . 1530 mm **5'0"**

\*Meets ISO 3449 FOPS standard.

### ROPS:\*

Weight . . . . . 605 kg **1,330 lb**

Dimensions:

Width . . . . . 1980 mm **6'6"**

Height from

compartment floor . . . . . 1835 mm **6'0"**

\*Meets ISO 3471 and SAE J1040 APR88 ROPS standards.



## OPTIONAL EQUIPMENT

- Additional heater for cab
- Additional rear light for ripper point
- Alternator, 90 ampere/24 V
- AM/FM radio with cassette
- Counterweight with rigid drawbar
- Counterweight, heavy duty for coal, landfill, woodchip
- Landfill package
- Radiator guard door, 2 piece, lattice, hinged
- Rear side screen for cab
- Safety glass for cab, MSHA spec
- Seat, air suspension type, high back, fabric, turn
- Track shoe slip control system
- Shoes:
  - 610 mm 24" with trapezoidal hole
  - 710 mm 28" with or without trapezoidal hole
  - 760 mm 30" with or without trapezoidal hole

### Multi-shank ripper:

Hydraulically controlled parallelogram ripper with three shanks. Available stepless adjustable ripping angle.

Weight (including hydraulic control unit) . . . . . 4462 kg **9,840 lb**

Beam length. . . . . 2495 mm **8'2"**

Maximum lift above ground . . . 955 mm **3'2"**

Maximum digging depth . . . . 900 mm **2'11"**

### Variable giant ripper:

Variable, parallelogram single-shank ripper ideal for ripping up tough material. Ripping angle is variable. Ripping depth is adjustable in three stages by a hydraulically controlled pin puller.

Weight (including hydraulic control unit) . . . . . 3600 kg **7,940 lb**

Beam length. . . . . 1252 mm **4'1"**

Maximum lift above ground . . . 870 mm **2'10"**

Maximum digging depth . . . . 1300 mm **4'3"**

